



## StatiFlex Vacuum Insulated Flexible Piping

**StatiFlex is an all stainless steel coaxial vacuum insulated pipe pumped down and sealed at the factory.** Modular by design, StatiFlex spools are joined together with close tolerance bayonet connections.

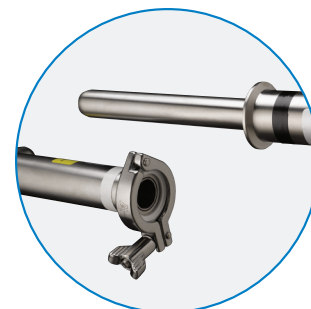
Available in two standard sizes: S625 (0.625" ID) and S1250 (1.25" ID) with stainless steel flexible braid outer. Cryotech offers a complete line of components including in-line venting devices, phase separators, gas traps, tees, and elbows to maximize the system performance and design.

### Features

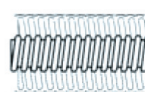
- **Pre-evacuated and Sealed Vacuum** – no pump maintenance to maintain system vacuum
- **Triax Compatible** – eliminates two phase flow of liquid nitrogen to use points when combined with Phase Separator
- **Modular Design** – the bendable nature of StatiFlex allows for re-usability
- **Three Year Warranty** – covers material and workmanship defects
- **Close Tolerance Bayonets** – provides ideal gas seal for leak tight connection between sections
- **Minimal Cool Down Losses** – light weight stainless steel design results in less nitrogen cool down consumption



StatiFlex Tee



Close Tolerance Bayonets



- Protective outer covering
- Convoluted pipe compensates for differential rates of expansion and contraction
- Vacuum annulus with multilayer insulation and chemical getter

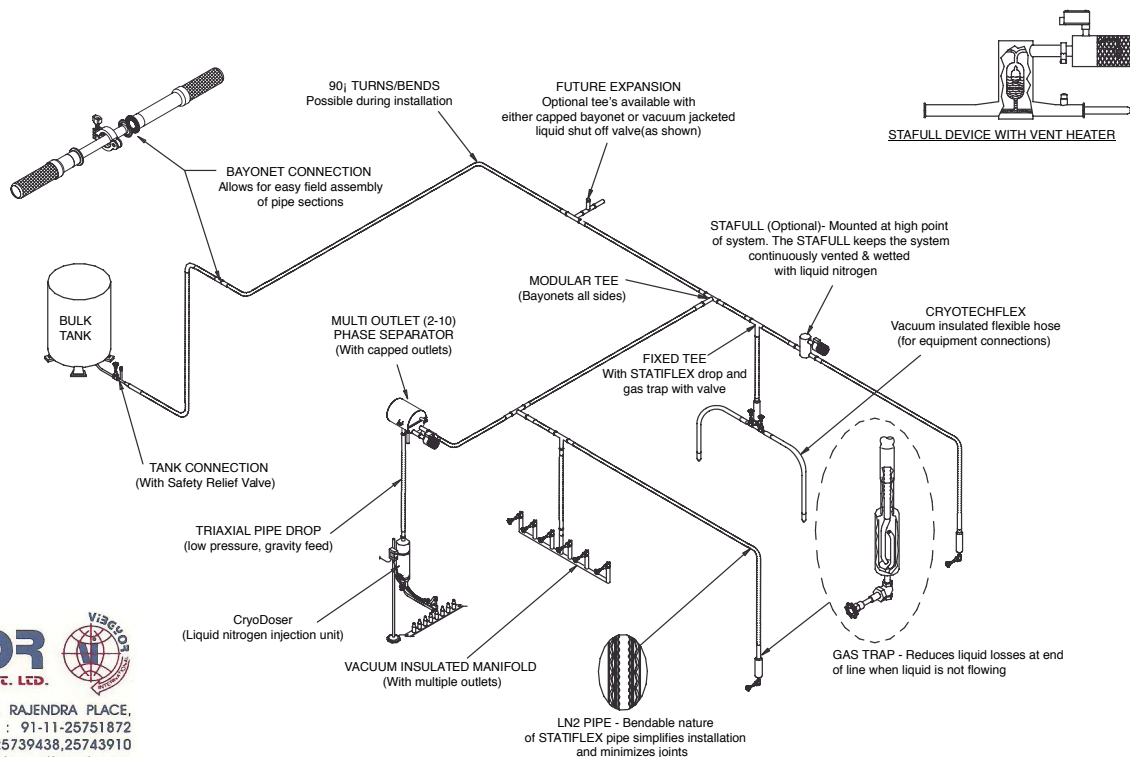
### Key Benefits

- **Space Conservation** – regain valuable floor space by eliminating the need for on-site dewars
- **Minimize Safety Issues** – eliminate many of the hazards associated with filling and transporting dewars
- **Easy Installation & Modifications** – bendable, lightweight, and its plug and play approach facilitates easy installation and allows for on-site layout changes
- **Future Expansion** – any bayonet joint can accommodate expansion due to its bendable nature

# StatiFlex Technical Specifications

	S625	S1250
Inner Diameter	0.625" (15.9mm)	1.25" (31.8mm)
Outer Diameter	1.8" (45.7mm)	2.6" (66.0mm)
Steady State Heat Loss	1 btu/hr/ft (0.96 watts/meter)	2 btu/hr/ft (1.9 watts/meter)
Bayonet Heat Loss	6 btu/hr (1.8 watts)	12 btu/hr (3.5 watts)
Maximum Operating Pressure	200 psi (13.8 bar)	125 psi (8.6 bar)
Weight	0.9 lbs/ft (1.3 kg/m)	1.4 lbs/ft (2.1 kg/m)
Minimum Bend Radius	18" (45.7mm)	30" (76.2mm)
Maximum Length (Single Spool)	60 ft (18.29m)	
Pipe Construction	All SST 300 construction	
Protective Outer Cover	BR - Braided Flex	
Standard Testing	He Mass Spectrometer, Vacuum Retention, LN2 Cold Shock (AQL Lot Sampling)	
Optional Testing	Certificate of Conformance, Leak Test Certification, Vacuum Certification, Material Certificate, 100% LN2 Cold Shock, Pressure Testing, X-Ray, O2 Cleaning	

## Typical StatiFlex Installation



904, PRAGATI TOWER, 26, RAJENDRA PLACE,  
 New Delhi-110 008 FAX : 91-11-25751872  
 PH.: 25711757,25718363,25739438,25743910  
 Website : www.vibgyorinternational.com  
 E-mail : vibgyor@bol.net.in  
 info@vibgyorinternational.com



Innovation. Experience. Performance.™

CRYOTECH, A Division of Chart Inc.

Visit our website for list of International Channel Partners [www.cryotechinternational.com](http://www.cryotechinternational.com)

161 Baypointe Parkway • San Jose, CA 95134 • Phone +1 800.371.3303 • Fax +1 408.577.1567 • Service +1 408.371.4932