

Classic Balances



NewClassic ME Analytical Balances

Designed to Last

Simply Reliable

Efficient Operation



The Essence of Weighing And More

METTLER TOLEDO

Efficient and Convenient Performance Balances with Outstanding Value

Daily weighing routines are easy and efficient thanks to the ergonomic design features of the NewClassic ME balances. Essential functionality is at your fingertips to provide you with accurate and reliable weighing results day after day.

But there is more. These robust all-rounder balances not only support your daily tasks with intuitive operation and fast results, they are also easy-to-clean, have front-feet leveling, and are available with internal adjustment at a keystroke.

Designed to Last



ME balances are built to last. The solid construction and high quality materials ensure you can rely on accurate results for many years to come.

- Solid metal base
- Reinforced body
- Overload protection up to 100 kg

Simply Reliable



State-of-the-art weighing technology ensures stable and accurate results.

- Fast and reliable results
- Date and time stamp (ISO/GLP)
- Internal adjustment available on all models

Efficient Operation



The easy-to-use interface enables direct access to applications and calibration routines. Coupled with easy cleaning, your daily tasks are fast and efficient.

- Intuitive interface
- 10 built-in applications
- Rounded edges and smooth surfaces are easy-to-clean

METTLER TOLEDO Service

Comprehensive Service

To perform at its peak, a balance should be serviced periodically. Preventive maintenance and calibration are crucial to ensure high uptime and accurate results.



- Up to 50% lower power consumption
- Selection of non-critical materials – PVC-free, mercury-free
- Energy efficient manufacturing and logistic



Clear Readout

The large numbers on the brilliant backlit display are easy to read in all working environments.



Fast Results

Efficient daily operations thanks to fast measurement results.

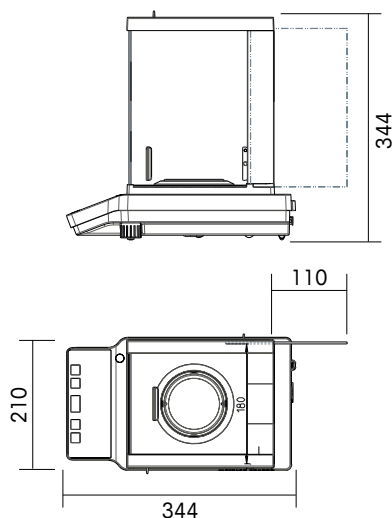


Compliant Documentation

Trace your data with built-in data and time function to meet ISO/GLP documentation requirements.

Technical data

NewClassic ME Analytical Balances



Model with internal adjustment	ME54	ME104	ME204
Model with external calibration	ME54E	ME104E	ME204E
Maximum capacity	52 g	120 g	220 g
Weighing platform dimensions \varnothing	90 mm		
Readability	0.1 mg		
Repeatability	0.1 mg		
Linearity	0.2 mg		
Settling time	2 s		
Sensitivity temperature drift	2.0 ppm/°C		
Weight of balance	4.7 kg (ME) / 4.5 kg (ME-E)		
Applications	Formulation, Totating, Dynamic Weighing, Piece Counting, Density, Percent Weighing, Check Weighing, Statistics, Free Factor		

All models are available as legal for trade versions.

www.mt.com/newclassic-me

For more information

Mettler-Toledo AG

Laboratory and Weighing Technologies
CH-8606 Greifensee, Switzerland
Tel. +41 44 944 22 11
Fax +41 44 944 30 60

Subject to technical changes
© 11/2012 Mettler-Toledo AG
Printed in Switzerland 30046861
Global MarCom Switzerland



Find more information
on the product page.



904, PRAGATI TOWER, 26, RAJENDRA PLACE,
New Delhi-110 008 FAX : 91-11-25751872
PH.: 25711757,25718363,25739438,25743910
Website : www.vibgyorinternational.com
E-mail : vibgyor@bol.net.in
info@vibgyorinternational.com

GWP®
Good Weighing Practice™

The global weighing guideline GWP® reduces risks associated with your weighing processes and helps to

- choose the appropriate balance
- reduce costs by optimizing testing procedures
- comply with the most common regulatory requirements

www.mt.com/GWP