

EURO-CYL

*The Low-Pressure
Cryogenic Liquid Solution*

The all-purpose gas transport, storage and supply vessels for laboratories, hospitals, universities and other low-pressure liquid users

Easy to Use

- Ideal for transport, storage and dispensing of cryogenic liquids
- Easy to maneuver caster bases on many models
- All valves and instruments within easy reach and visibility
- Stable center of gravity

Superior Performance

- Low evaporation rate and high durability
- Optional pressure building system for high or continuous withdrawal rates
- Extended-stem liquid valve to reduce ice formation

Cost Effective

- Super-insulation for longer holding time, lower evaporation and lower operating costs
- All stainless steel vessels and patented inner support system for durability and long life



Six Convenient Sizes

- 50 Liters
- 120 Liters
- 180 Liters
- 230 Liters
- 600 Liters
- 1000 Liters

Popular Options

- Casters-bases
- Fill / supply hoses
- Non-magnetic versions
- Pressure building kits
- Low Pressure Control Device

**5-year
vacuum
warranty**



Model		50/1.5	120/4 SB	180/4	230/4 RB	230/4 SB	600/8	1000/8
Capacity								
Liquid (gross)	(liters)	50	120	196	240	240	673	993
Liquid (net)	(liters)	48	114	186	228	228	639	943
Performance								
NER**** (N ₂)	(% per day)	4	2	1,9	1,8	1,8	1,6	1,5
NER (O ₂ - AR)	(% per day)	N/A	1,4	1,3	1,2	1,2	1,1	1
Relief Valve Setting	(bar)	1,5	1,5 / 4**	1,5 / 4**	1,5 / 4**	1,5 / 4**	8	8
Code		TPED	TPED	TPED	TPED	TPED	TPED	TPED
Dimensions								
Tank Diameter	(mm)	406	508	508	660	660	965	1067
Base Dimensions	(mm)	406	650 x 675	508	660	715 x 715	1030x1030	1130x1130
Type of Base		round	square	round	round	square	pallet	pallet
		caster-base	caster-base	footring	caster-base	caster-base	frame	frame
Tank Height	(mm)	901	1290	1613	1391	1391	1915	2165
Tank Empty Weight	(kg)	45	94	109	125	143	550	720
Maximum Tank Full Weight***								
N ₂	(kg)	82	186	259	309	327	1066	1482
O ₂	(kg)	N/A	224	321	385	403	1280	1812
Ar	(kg)	N/A	253	369	443	461	1440	2033

* Subject to change without prior notice

** Tanks supplied with 1,5 bar and 4 bar relief valves

*** Tank plus product at saturated pressure 0 bar for O₂, N₂, Ar

**** NER: Nominal Evaporation Rate

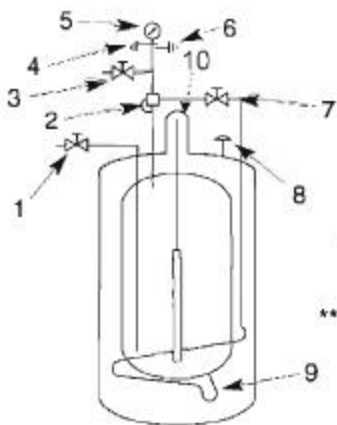
P&ID and BoM for models 50 -230

P&ID and BoM for models 600 & 1000

No. Nomenclature

- 1 Liquid Fill & Withdrawal Valve
- 2 Pressure Building Regulator*****
- 3 Vent Valve
- 4 Relief Valve
- 5 Pressure Gauge
- 6 Relief Valve
- 7 Pressure Building Valve
- 8 Outer Vessel Burst Disc
- 9 Pressure Building Coil
- 10 Liquid Level Indicator (50 fitted with DP gauge)

***** Available option on 120, 180 and 230 models only



No. Nomenclature

- 1 Liquid Level Gauge
- 2 Pressure Gauge
- 3 Low Pressure Relief Valve (optional)
- 4 Burst Disc (optional)
- 5 Safety Relief Valve
- 7 Regulator (optional)
- 8 Regulator Isol. Valve (optional)
- 9 Bottom Fill/ Liquid Withdrawal
- 11 Vacuum Valve/Safety Plug
- 13 Pressure Building Coil
- 14 Vent / Trycock Valve
- 15 Low Pressure Isol. Valve (optional)
- 16 Gauge Isol. Valve (optional)
- 17 Add. Liquid Withdrawal (optional)
- 18 Top Fill (optional)
- 20 Connection (optional)
- 21 Bottom Liquid Withdrawal (optional)
- 25 Back pressure regulator isolation valve (optional)
- 26 Back pressure regulator (optional)

